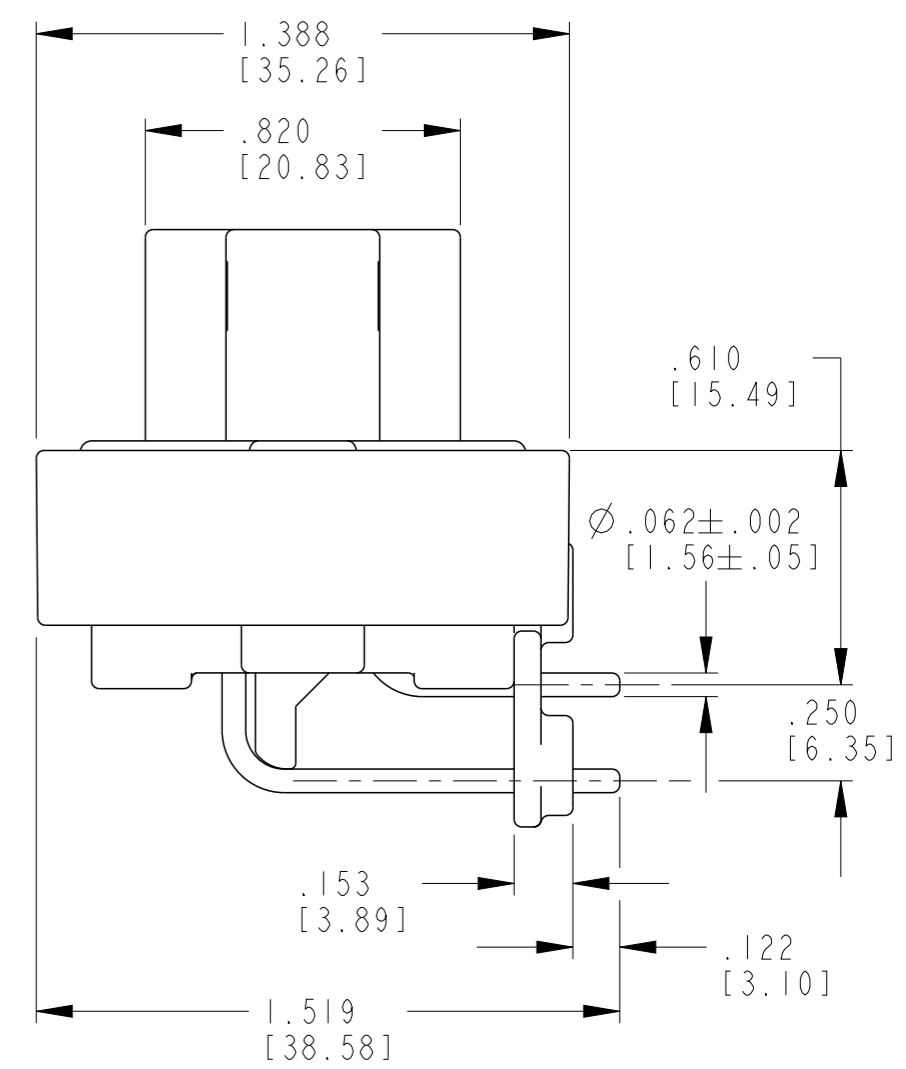
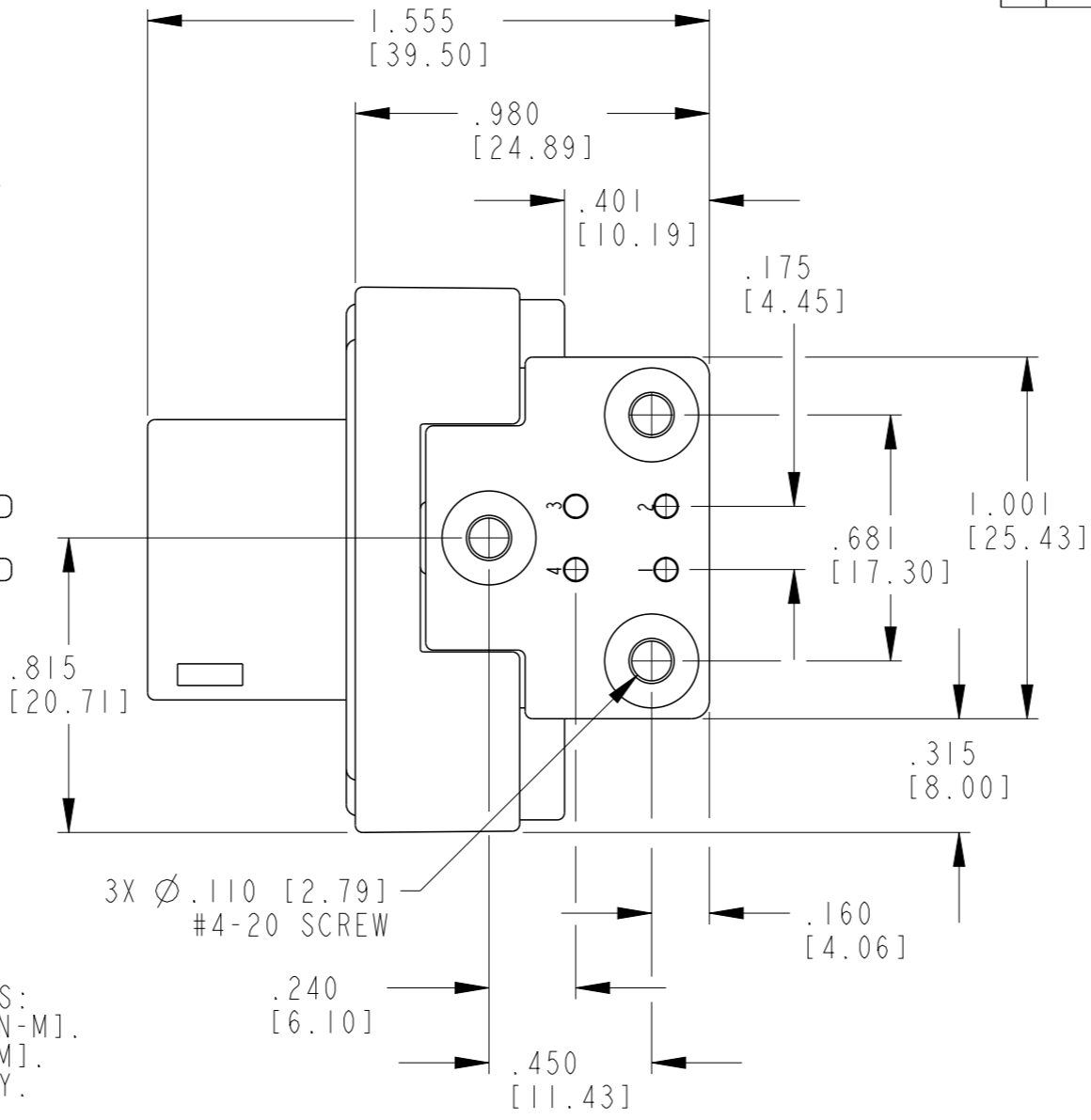
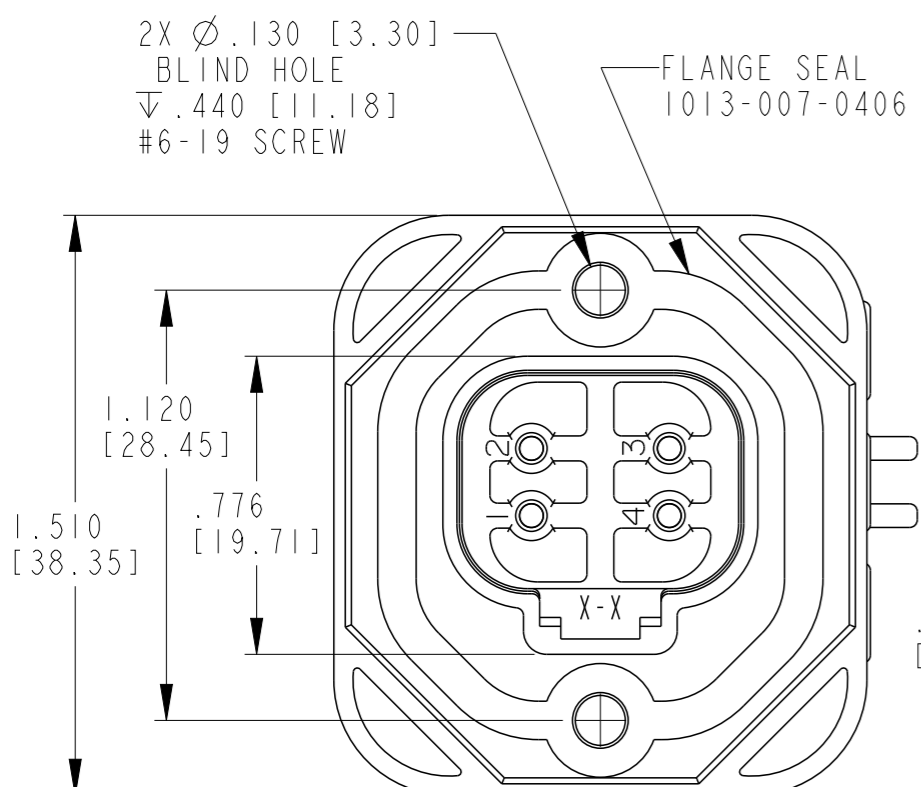


THIS DRAWING IS UNPUBLISHED. RELEASED FOR PUBLICATION 2014
 © COPYRIGHT 2013 BY TE CONNECTIVITY ALL RIGHTS RESERVED.


LOC	DIST	REVISIONS			
P	LTR	DESCRIPTION	DATE	DWN	APVD
	A	REVISED PER E.O. P15470	11-4-97		RDR
	B	REVISED AND REDRAWN PER E.O. P17444	1-9-02	PB	RDR
	C	REVISED PER E.O. P19404	11-20-06	PB	RDR
	CI	REVISED PER ECO-14-010107	03JUL2014	JA	DM



6. MOUNTING SCREW TORQUE VALUES ARE AS FOLLOWS:
 #6-19 SCREWS: 13±2.0 IN-LB [1.47±0.23 N-M].
 #4-20 SCREWS: 8±2.0 IN-LB [.90±0.23 N-M].
 VALUES VALID FOR PLASTITE 48 SCREWS ONLY.
5. RECOMMENDED MOUNTING SCREWS (NOT INCLUDED):
 CAMCAR PLASTITE 48, SINGLE HELIX.
4. THIS RECEPTACLE MATES WITH DT06-4S-XXXX PLUG
 (XXXX = ALL MODIFICATIONS.)
3. CONTACT PLATING - MATING SIDE: NICKEL; PCB SIDE: TIN.

- 2 MATERIALS:
 SHELL: PA GF30 (GRAY)
 SEAL: SILICONE (ORANGE-RED)
 PIN CONTACTS: COPPER ALLOY
- 1 DIMENSION TOLERANCE: ±.025 [.64]
 PANEL CUTOUT: ±.010 [.25]
 PIN LOCATIONS: ±.005 [.13]
 MOUNTING HOLE LOCATIONS: ±.010 [.13]

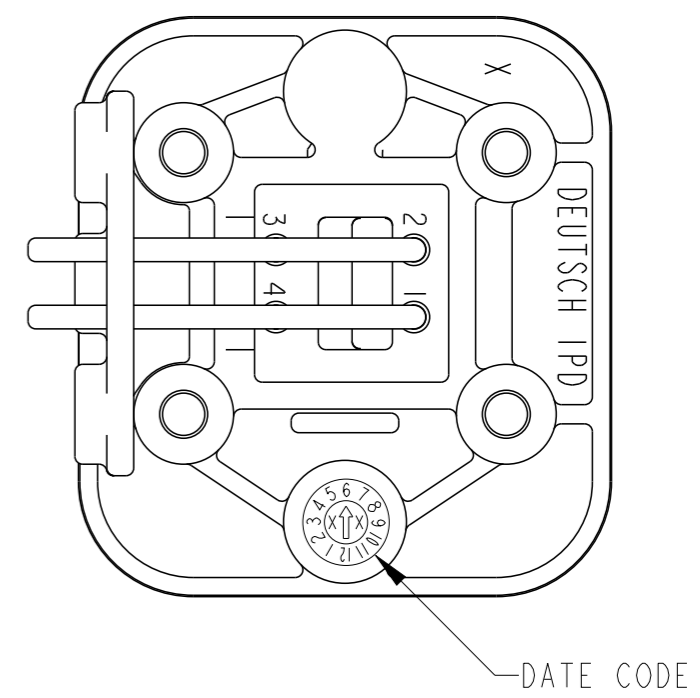
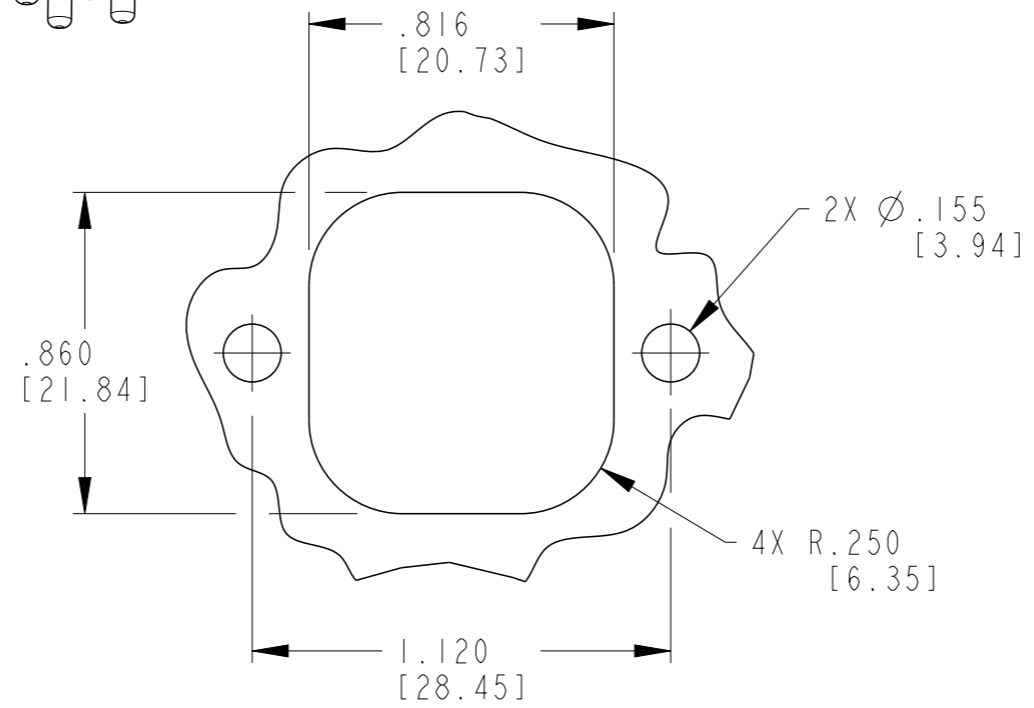
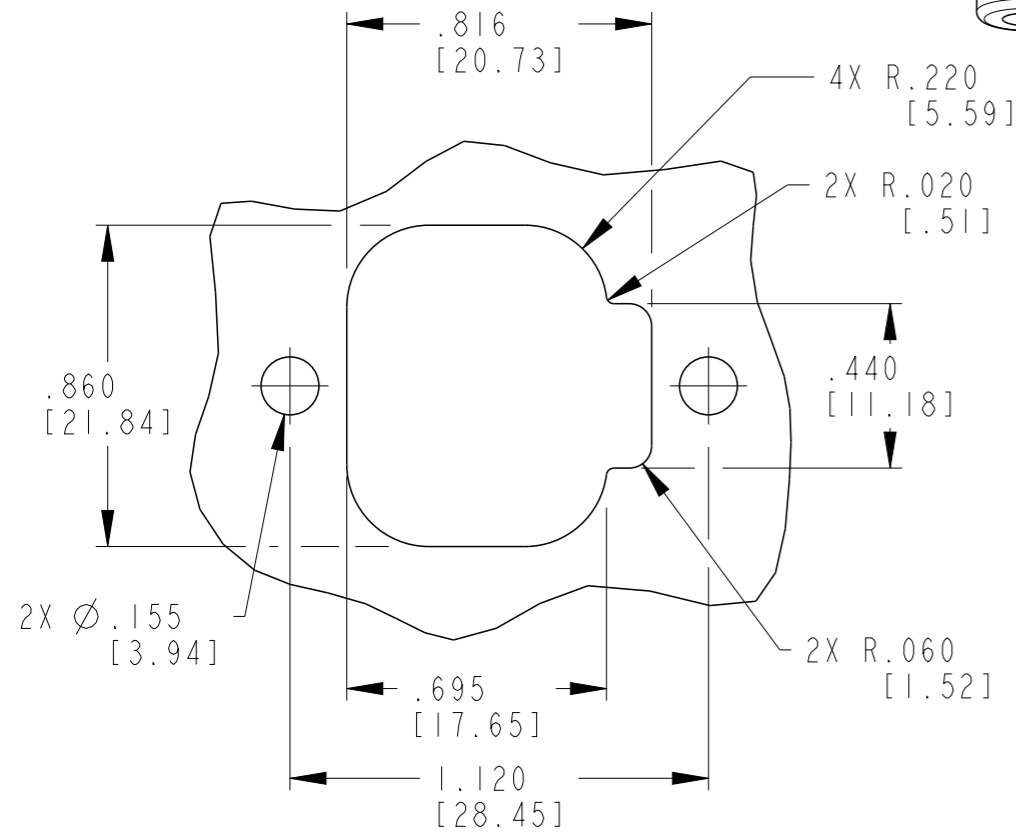
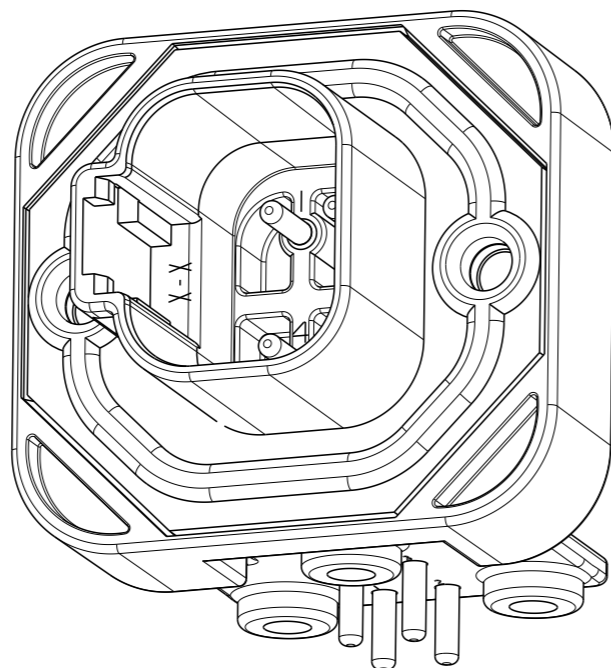
NOTES:

THIS DRAWING IS A CONTROLLED DOCUMENT.		DWN P. BURKE 20DEC2001	 TE Connectivity	
DIMENSIONS: INCHES [mm]		CHK KEVIN MCKEE 03JUL2014		
TOLERANCES UNLESS OTHERWISE SPECIFIED:		APVD DAVID MEYER 03JUL2014		
0 PLC ± 1 PLC ± 2 PLC ± 3 PLC ± 4 PLC ± ANGLES ±0°30'0"		PRODUCT SPEC		
MATERIAL 2		FINISH	NAME RECEPTACLE HEADER 4 PIN 90 DEG DT SERIES	RESTRICTED TO
		WEIGHT 22g±10%	SIZE A3	CAGE CODE 4AFU8
		CUSTOMER DRAWING	DRAWING NO. DT13-4P	SCALE 2:1
			SHEET 1 OF 2	REV CI

THIS DRAWING IS UNPUBLISHED. RELEASED FOR PUBLICATION 2014

© COPYRIGHT 2013 BY TE CONNECTIVITY ALL RIGHTS RESERVED.

LOC		DIST		REVISIONS			
P	LTR	DESCRIPTION		DATE	DWN	APVD	
	C1	SEE SHEET 1		03JUL2014	JA	DM	



RECOMMENDED PANEL CUTOUTS

THIS DRAWING IS A CONTROLLED DOCUMENT.		DWN P. BURKE	20DEC2001		
DIMENSIONS: INCHES [mm]		CHK	APVD		
		PRODUCT SPEC		NAME RECEPTACLE HEADER 4 PIN 90 DEG DT SERIES	
		APPLICATION SPEC		SIZE A3	CAGE CODE 4AFU8
MATERIAL 		WEIGHT 22g±10%		DRAWING NO G-DT13-4P	RESTRICTED TO
TOLERANCES UNLESS OTHERWISE SPECIFIED: 0 PLC ± 1 PLC ± 2 PLC ± 3 PLC ± 4 PLC ± ANGLES ±0°30'0"		FINISH 		CUSTOMER DRAWING	SCALE 2:1
				SHEET 2	OF 2
				REV C1	